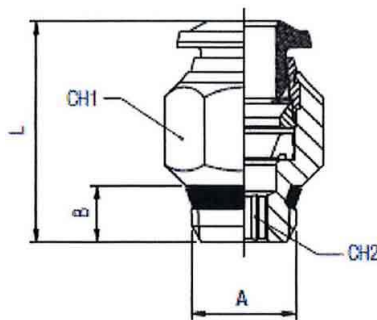


The quick-connect fittings of the »universal short« series are true to their name and are used for the quick and simple connection of hoses. The conical sealing threads offer a high degree of flexibility, as it is compatible with both conical and cylindrical threads. Thus the quick-connect fitting can be combined with a wide variety of thread types (BSPP, BSPT, NPT, NPTF, PT, PF) of standards ISO 7.1 and ISO 228. Shorter assembly times result from the reduced thread length. The smaller hole spacing, resulting from the reduction of the width across flats, enables installation in very tight spaces. This saves time and space.

The complete sealing is also guaranteed on uneven, for example inclined, concave or convex surfaces, and with differing radii and chamfers. The special geometry of the seal enables vacuum applications.

Areas of application: Pneumatic automation, automotive industry, textile and packaging industry, compressed air circuits, vacuum applications.

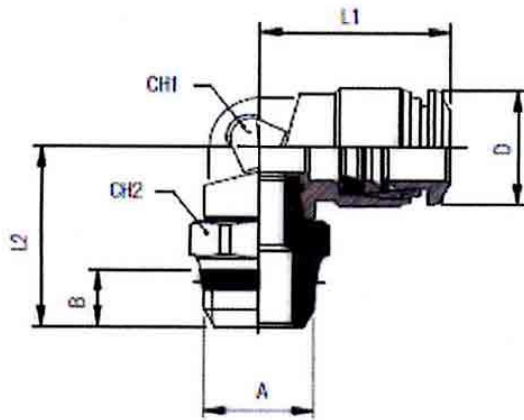
Working pressure:	-0,99 to 20 bar
Operating temperature:	-20 °C to 80 °C
Material:	Nickel-plated brass
Sealant:	NBR
Medium:	Compressed air, water
Applications:	Compressed air syst., automotive, textile, packaging, vacuum
Sleeve:	POM
Collet:	Stainless steel
Recommended hose:	PA, PU and PTFE



GS3810MSVUNI

### Male connector, taper seat

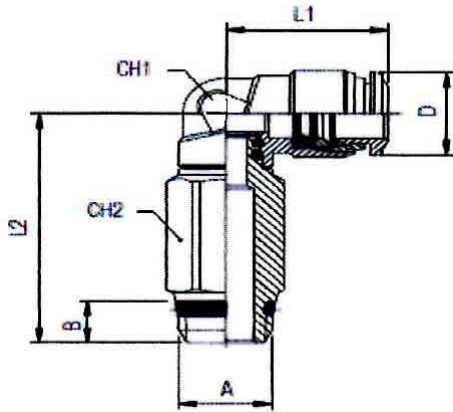
Art. No.	Type No.	Thread A	For tube O.D. mm	L mm	CH1 mm	CH2 mm	B mm
153281	GS186MSVUNI	1/8	6	21.5	13	4	5.5
153282	GS188MSVUNI	1/8	8	24.5	14	5	5.5
153283	GS146MSVUNI	1/4	6	21.0	14	4	7.0
153284	GS148MSVUNI	1/4	8	22.0	14	6	7.0
153285	GS1410MSVUNI	1/4	10	28.0	17	7	7.0
153286	GS386MSVUNI	3/8	6	23.0	17	4	7.5
153287	GS388MSVUNI	3/8	8	23.0	17	6	7.5
153288	GS3810MSVUNI	3/8	10	25.5	17	8	7.5
153289	GS126MSVUNI	1/2	6	23.5	21	4	9.0
153290	GS128MSVUNI	1/2	8	23.5	21	6	9.0
153291	GS1210MSVUNI	1/2	10	26.0	21	8	9.0



WS146MSVUNI

**Male branch elbow, swivel type, taper seat**

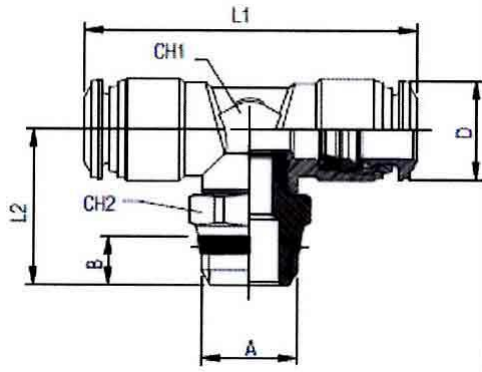
Art. No.	Type No.	Thread A	For tube O.D. mm	L1 mm	L2 mm	CH1 mm	CH2 mm	B mm	D mm
153292	WS186MSVUNI	1/8	6	21.0	21.5	11	13	5.5	12.5
153293	WS188MSVUNI	1/8	8	22.5	24.0	12	13	5.5	14.5
153294	WS146MSVUNI	1/4	6	21.0	23.0	11	15	7.0	12.5
153295	WS148MSVUNI	1/4	8	22.5	24.0	12	15	7.0	14.5
153296	WS1410MSVUNI	1/4	10	26.5	26.5	14	16	7.0	17.5
153297	WS388MSVUNI	3/8	8	22.5	24.5	12	17	7.5	14.5
153298	WS3810MSVUNI	3/8	10	26.5	24.5	14	17	7.5	17.5
153299	WS128MSVUNI	1/2	8	22.5	27.0	12	21	9.0	14.5
153300	WS1210MSVUNI	1/2	10	26.5	27.0	14	21	9.0	17.5



WSL146MSVUNI

### Male branch elbow, long type, swivel type, taper seat

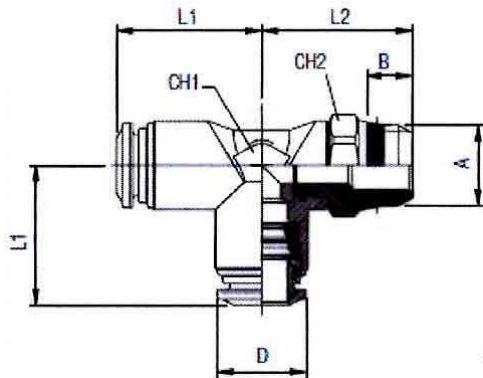
Art. No.	Type No.	Thread A	For tube O.D. mm	L1 mm	L2 mm	CH1 mm	CH2 mm	B mm	D mm
153301	WSL186MSVUNI	1/8	6	21.0	36.0	11	12	5.5	12.5
153302	WSL188MSVUNI	1/8	8	22.5	40.5	12	12	5.5	14.5
153303	WSL146MSVUNI	1/4	6	21.0	37.5	11	15	7.0	12.5
153304	WSL148MSVUNI	1/4	8	22.5	40.5	12	15	7.0	14.5
153305	WSL1410MSVUNI	1/4	10	26.5	46.0	14	15	7.0	17.5
153306	WSL388MSVUNI	3/8	8	22.5	41.0	12	16	7.5	14.5
153307	WSL3810MSVUNI	3/8	10	26.5	44.0	14	17	7.5	17.5



TS146MSVUNI

**Male branch tee, swivel type, taper seat**

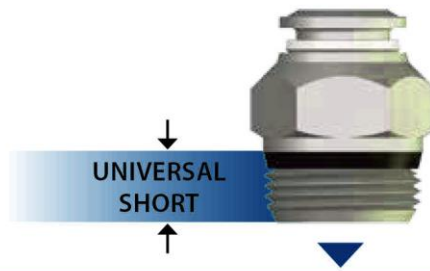
Art. No.	Type No.	Thread A	For tube O.D. mm	L1 mm	L2 mm	CH1 mm	CH2 mm	B mm	D mm
153308	TS186MSVUNI	1/8	6	42.0	22.0	11	13	5.5	12.5
153309	TS188MSVUNI	1/8	8	45.0	25.5	13	13	5.5	14.5
153310	TS146MSVUNI	1/4	6	42.0	23.5	11	15	7.0	12.5
153311	TS148MSVUNI	1/4	8	45.0	25.5	13	15	7.0	14.5
153312	TS1410MSVUNI	1/4	10	53.0	29.0	14	16	7.0	17.5
153313	TS388MSVUNI	3/8	8	45.0	26.0	13	17	7.5	14.5
153314	TS3810MSVUNI	3/8	10	53.0	27.0	14	17	7.5	17.5
153315	TS128MSVUNI	1/2	8	45.0	28.5	13	21	9.0	14.5
153316	TS1210MSVUNI	1/2	10	53.0	29.5	14	21	9.0	17.5



TSL146MSVUNI

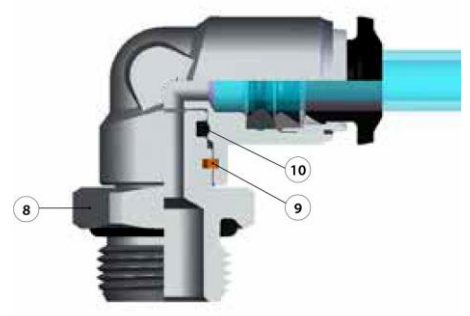
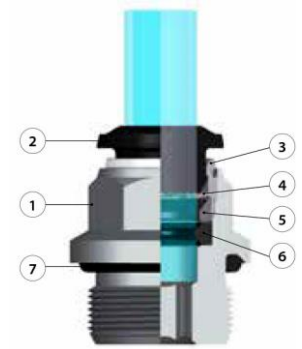
### Male branch tee, angled plug connection, swivel type, taper seat

Art. No.	Type No.	Thread A	For tube O.D. mm	L1 mm	L2 mm	CH1 mm	CH2 mm	B mm	D mm
153317	TSL186MSVUNI	1/8	6	21,0	22,0	11	13	5,5	12,5
153318	TSL188MSVUNI	1/8	8	22,5	25,0	13	13	5,5	14,5
153319	TSL146MSVUNI	1/4	6	21,0	23,5	11	15	7,0	12,5
153320	TSL148MSVUNI	1/4	8	22,5	25,0	13	15	7,0	14,5
153321	TSL1410MSVUNI	1/4	10	26,5	26,0	14	16	7,0	17,5
153322	TSL388MSVUNI	3/8	8	22,5	28,0	13	17	7,5	14,5
153323	TSL3810MSVUNI	3/8	10	26,5	26,0	14	17	7,5	17,5
153324	TSL128MSVUNI	1/2	8	22,5	28,0	13	21	9,0	14,5
153325	TSL1210MSVUNI	1/2	10	26,5	28,5	14	21	9,0	17,5



### Component parts and materials

No.	Component part	Material
1	Body	Nickel-plated brass
2	Sleeve tube	POM
3	Capsule	Nickel-plated brass
4	Collet	Stainless steel AISI 301
5	Safety ring	TPU
6	Molded seal	NBR
7	Thread packing	NBR
8	Base threaded	Nickel-plated brass
9	Seeger ring	Spring steel
10	Seal	NBR



### Torque specifications

Measure	Torque	Breaking torque
	Nm	
1/8	5	7
1/4	5	7
3/8	5	7
1/2	5	7

The values are only for informational.